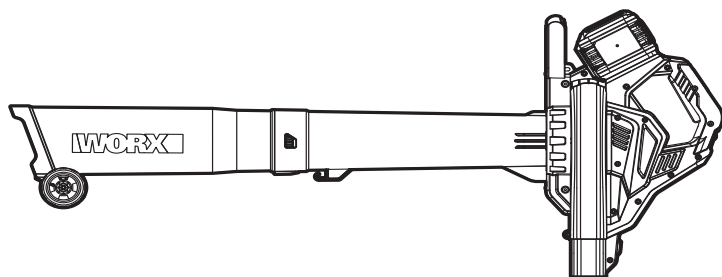
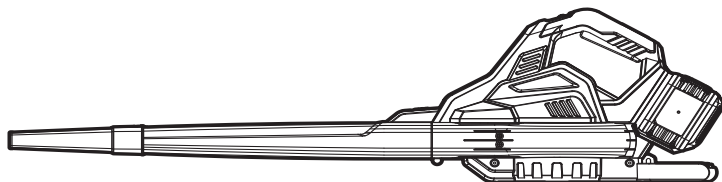


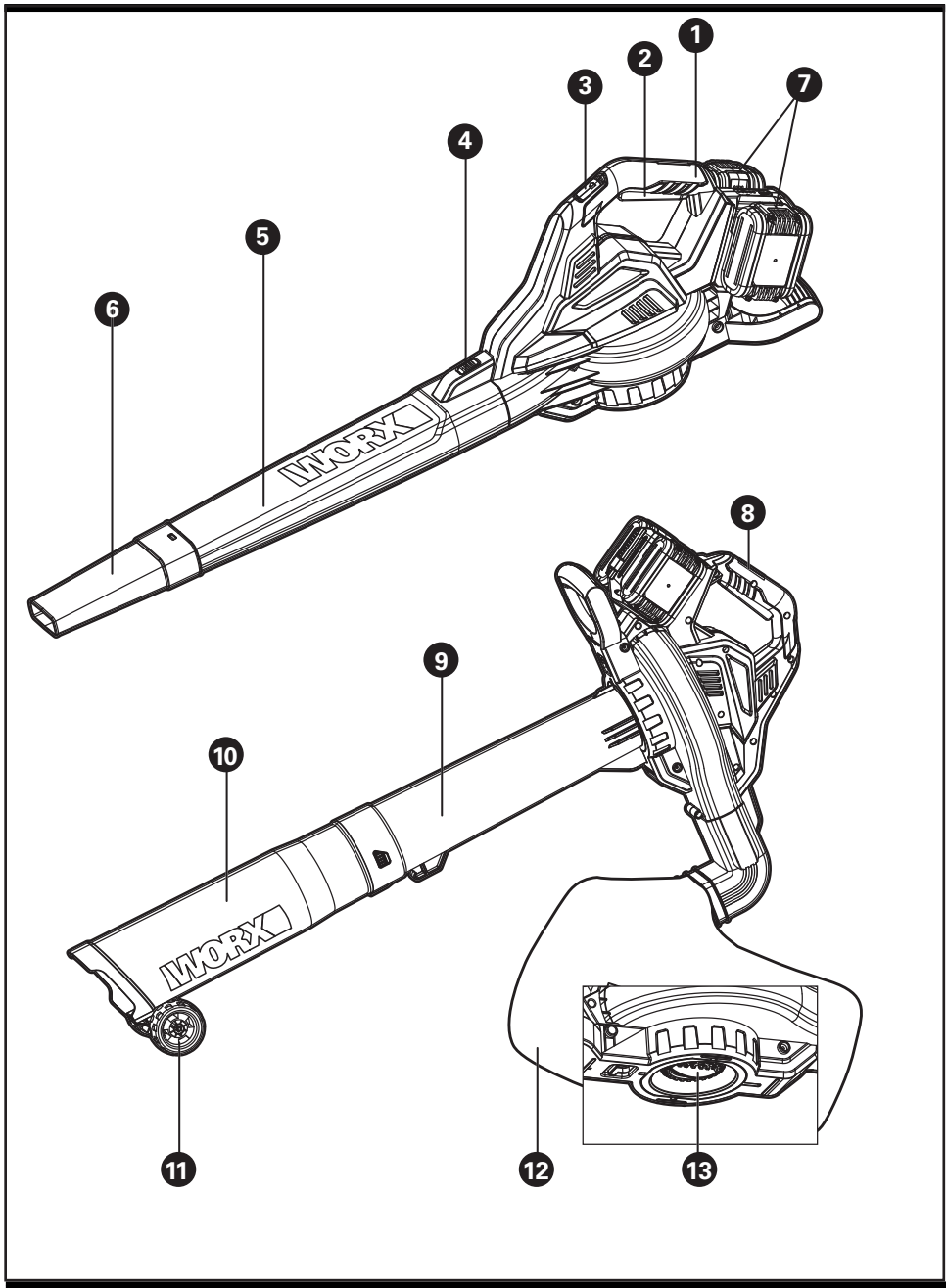
# WORX®

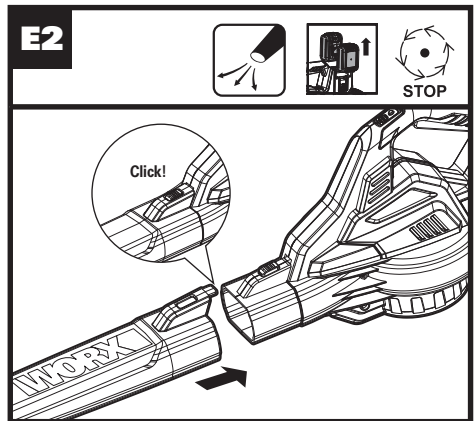
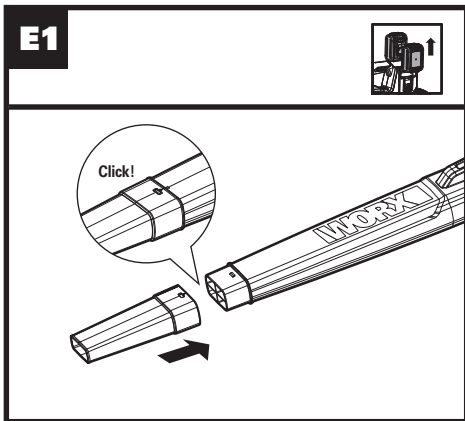
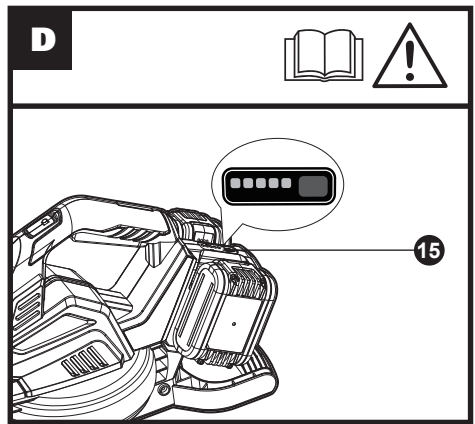
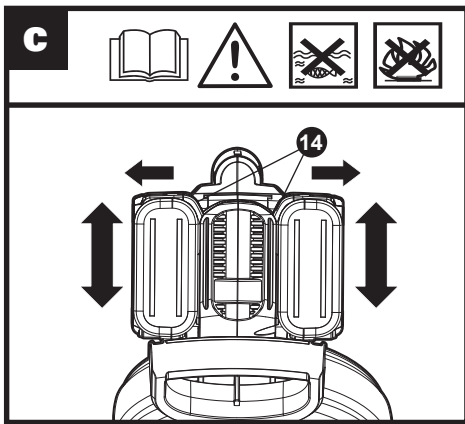
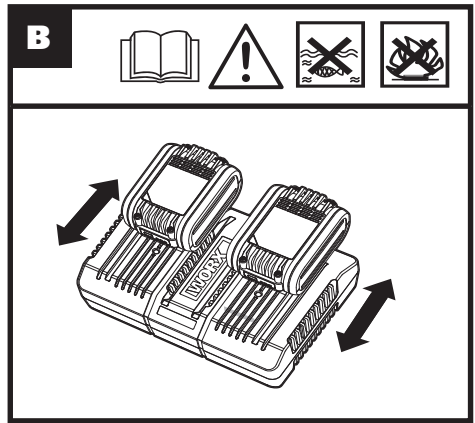
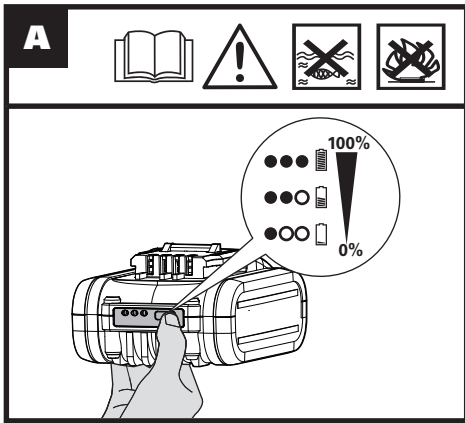


<b>Cordless Blower/Vac/Mulcher</b>	<b>EN</b>	<b>P08</b>
<b>Akku-Gebläse/Staubsauger/Mulcher</b>	<b>D</b>	<b>P17</b>
<b>Souffleur/aspirateur/broyeur sans fil</b>	<b>F</b>	<b>P27</b>
<b>Soffiatore a batteria/Aspiratore/trinciatrice</b>	<b>I</b>	<b>P37</b>
<b>Soplador/aspirador/triturador inalámbrico</b>	<b>ES</b>	<b>P47</b>
<b>Soprador/Aspirador/Triturador Sem Fio</b>	<b>PT</b>	<b>P57</b>
<b>Draadloze blazer/stofzuiger/Mulcher</b>	<b>NL</b>	<b>P66</b>
<b>Trådløs Blæsere/Vac/Mulcher</b>	<b>DK</b>	<b>P76</b>
<b>Trådløs blåser/Vac/Mulcher</b>	<b>NOR</b>	<b>P84</b>
<b>Trådlös Blås/Vac/Mulcher (marktäckning)</b>	<b>SV</b>	<b>P93</b>
<b>Dmuchawa/odkurzacz/rozdrabniacz bezprzewodowy</b>	<b>PL</b>	<b>P101</b>
<b>Ασύρματος φυσητήρας/αναρροφητήρας/θρυμματιστής</b>	<b>GR</b>	<b>P111</b>
<b>Akkumulátoros fűvó/Vákuum/Mulcher</b>	<b>HU</b>	<b>P122</b>
<b>Aspirator fără fir cu funcție de suflare/Aspirator/Mulcher</b>	<b>RO</b>	<b>P132</b>
<b>Bezdrátové dmychadlo/Vysavač/Mulčer</b>	<b>CZ</b>	<b>P141</b>
<b>Bezšnúrových Dúchadlá/Vac/Mulcher</b>	<b>SK</b>	<b>P150</b>
<b>Brezžični pihalnik/Sesalnik/Mulčnik</b>	<b>SL</b>	<b>P159</b>

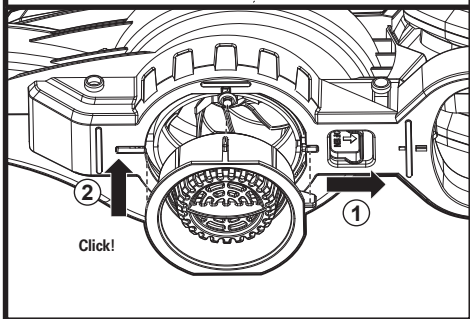
**WG583E WG583E.9**

<b>Original instructions</b>	<b>EN</b>
<b>Originalbetriebsanleitung</b>	<b>D</b>
<b>Notice originale</b>	<b>F</b>
<b>Istruzioni originali</b>	<b>I</b>
<b>Manual original</b>	<b>ES</b>
<b>Manual original</b>	<b>PT</b>
<b>Oorspronkelijke gebruiksaanwijzing</b>	<b>NL</b>
<b>Original brugsanvisning</b>	<b>DK</b>
<b>Opprinnelige Instruksjonene</b>	<b>NOR</b>
<b>Bruksanvisning i original</b>	<b>SV</b>
<b>Instrukcja oryginalna</b>	<b>PL</b>
<b>ΠΡΩΤΟΤΥΠΟ ΟΔΗΓΙΩΝ ΧΡΗΣΗΣ</b>	<b>GR</b>
<b>Eredeti használati utasítás</b>	<b>HU</b>
<b>Instrucțiuni originale</b>	<b>RO</b>
<b>Původní návod k používání</b>	<b>CZ</b>
<b>Pôvodný návod na použitie</b>	<b>SK</b>
<b>Izvirna navodila</b>	<b>SL</b>

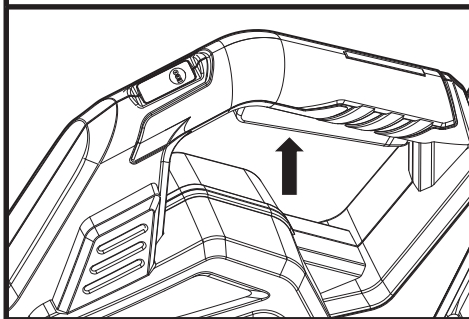




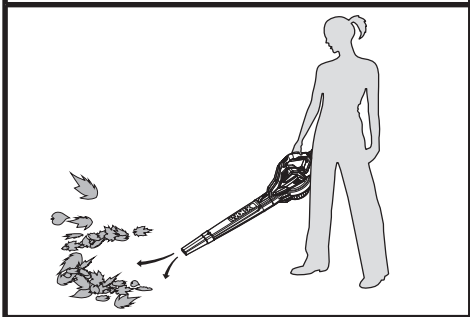
**E3**



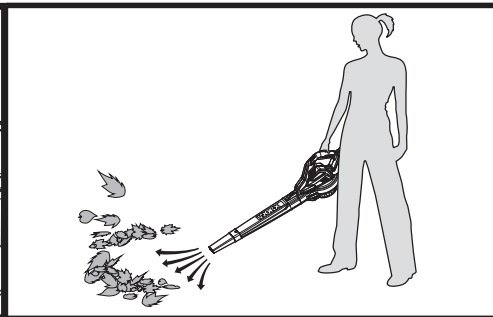
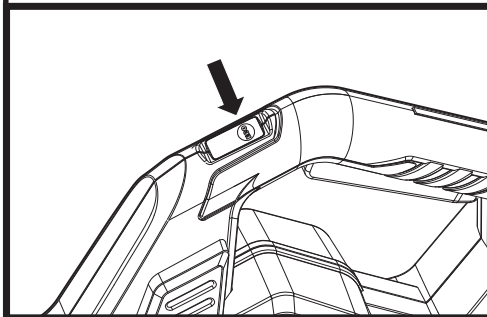
**F**

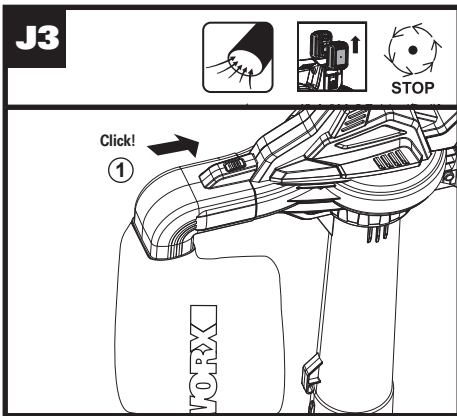
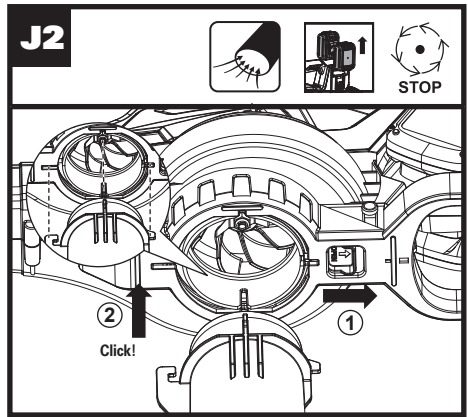
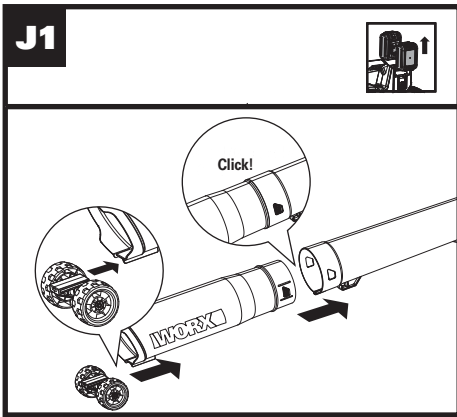
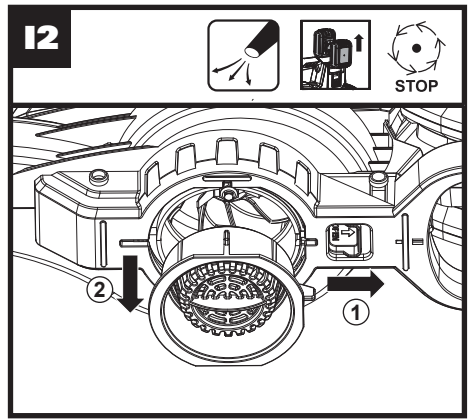
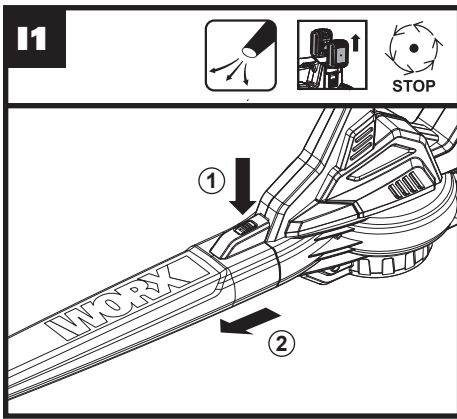


**G**

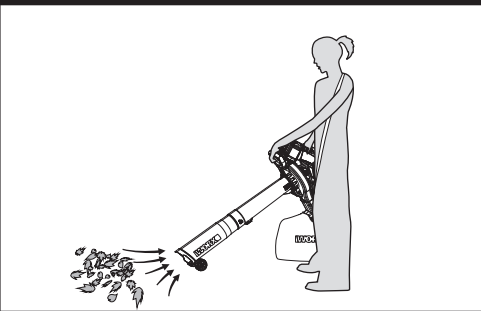
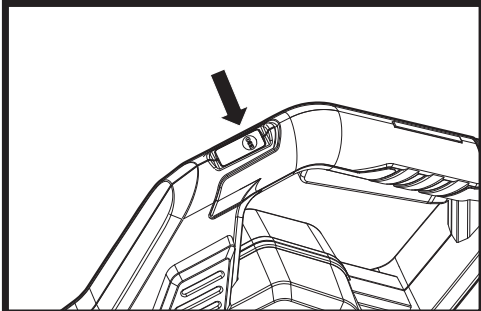


**H**





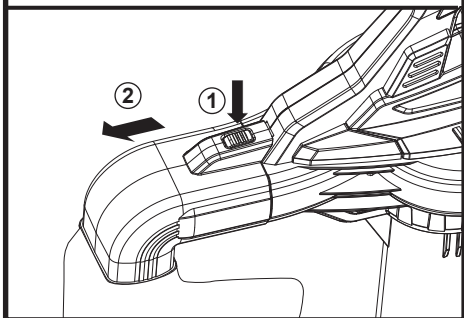
**K**



**L1**



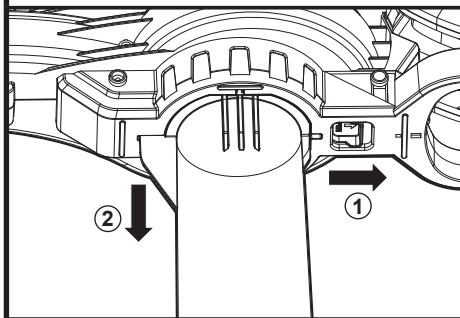
STOP



**L2**



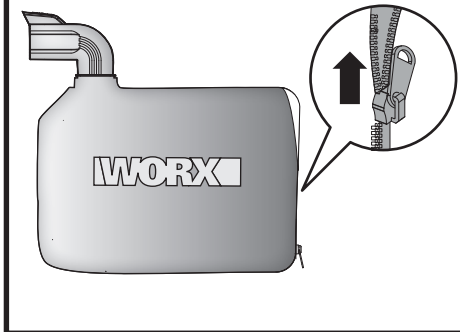
STOP

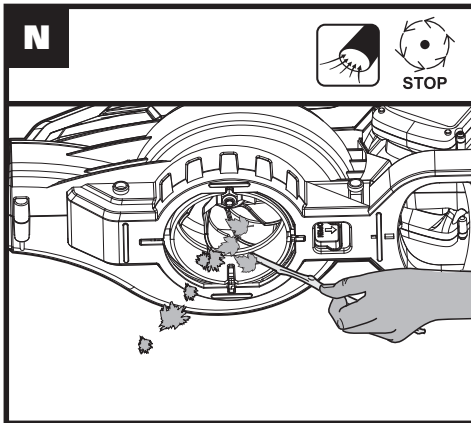


**M1**



**M2**





## PRODUCT SAFETY

**⚠ WARNING Read all safety warnings and all instructions.** Failure to follow the warnings and instructions may result in electric shock, fire and/or serious injury.

**Save all warnings and instructions for future reference.**

The appliance is only to be used with the power supply unit provided with the appliance.

**IMPORTANT  
READ CAREFULLY BEFORE  
USE.  
KEEP FOR FUTURE  
REFERENCE.**

## Safe operating practices

### 1) Training

a) Read the instructions carefully. Be familiar with the

controls and the correct use of the machine.

- b) Never allow children, persons with reduced physical, sensory or mental capabilities or lack of experience and knowledge or people unfamiliar with these instructions to use the machine, local regulations may restrict the age of the operator.
- c) Never operate the machine while people, especially children, or pets are nearby.
- d) Keep in mind, that the operator or user is responsible for accidents or hazards occurring to other people or their property.

### 2) Preparation

- a) While operating the machine, always wear substantial footwear and long trousers. Do not operate the machine when barefoot or wearing open sandals. Avoid wearing clothing that is loose fitting or that has hanging cords or ties.
- b) Do not wear loose clothing or jewellery that can be drawn into the air inlet. Keep long hair away from the air inlets.
- c) Obtain ear protection and

- safety glasses. Wear them at all times while operating the machine.
- d) Operate the machine in a recommended position and only on a firm, level surface.
  - e) Do not operate the machine on a paved or gravel surface where ejected material could cause injury.
  - f) Before using, always visually inspect to see, that the shredding means, shredding means bolts and other fasteners are secure, the housing is undamaged and that guards and screens are in place. Replace worn or damaged components in sets to preserve balance. Replace damaged or unreadable labels.
- d) Keep proper balance and footing at all times. Do not overreach. Never stand at a higher level than the base of the machine when feeding material into it.
  - e) Always stand clear of the discharge zone when operating this machine.
  - f) When feeding material into the machine be extremely careful that pieces of metal, rocks, bottles, cans or other foreign objects are not included.
  - g) If the cutting mechanism strikes any foreign objects or if the machine should start making any unusual noise or vibration, immediately shut off the power source and allow the machine to stop. Remove the battery pack from the machine and take the following steps before restarting and operating the machine:
    - i) inspect for damage;
    - ii) replace or repair any damaged parts;
    - iii) check for and tighten any loose parts.
  - h) Do not allow processed material to build up in the

### **3) Operation**

- a) Before starting the machine, make certain that the feeding chamber is empty.
- b) Keep your face and body away from the feed intake opening.
- c) Do not allow hands or any other part of the body or clothing inside the feeding chamber, discharge chute,

discharge zone; this may prevent proper discharge and can result in kickback of material through the intake opening.

- i) If the machine becomes clogged, shut-off the power source and remove the battery pack from the machine before cleaning debris.
- j) Never operate the machine with defective guards or shields, or without safety devices, for example debris collector in place.
- k) Keep the power source clean of debris and other accumulations to prevent damage to the power source or possible fire.
- l) Do not transport this machine while the power source is running.
- m) Always disconnect the machine from the power supply (e.g. remove the battery pack from the machine)
  - whenever you leave the machine,
  - before clearing blockages or unclogging chute,
  - before checking, cleaning or working on the machine.
- n) Avoid using the machine

in bad weather conditions especially when there is a risk of lightning.

#### **4) Maintenance and storage**

- a) keep all nuts, bolts and screws tight to be sure the appliance is in safe working condition.
- b) Check the debris collector frequently for wear or deterioration.
- c) Replace worn or damaged parts.
- d) Use only genuine replacement parts and accessories.
- e) Store the machine in a dry place out of the reach of children.
- f) When the machine is stopped for servicing, inspection, or storage, or to change an accessory, shut off the power source, disconnect the machine from the supply and make sure that all moving parts are come to a complete stop. Allow the machine to cool before making any inspections, adjustments, etc. Maintain the machine with care and keep it clean.
- g) Store the machine in a dry place out of the reach of

children.

- h) Always allow the machine to cool before storing.
- i) When servicing the shredding means be aware that, even though the power source is switched off due to the interlock feature of the guard, the shredding means can still be moved.
- j) Never attempt to override the interlocked feature of the guard.

### **5) Additional safety instructions for units with bagging attachments**

Switch-off the machine before attaching or removing the bag.

## **BATTERY SAFETY SAFETY WARNINGS FOR BATTERY PACK**

- a) Do not dismantle, open or shred cells or battery pack.**
- b) Do not short-circuit a battery pack. Do not store battery packs haphazardly in a box or drawer where they may short-circuit each other or be short-circuited by**

### **conductive materials.**

When battery pack is not in use, keep it away from other metal objects, like paper clips, coins, keys, nails, screws or other small metal objects, that can make a connection from one terminal to another. Shorting the battery terminals together may cause burns or a fire.

- c) Do not expose battery pack to heat or fire. Avoid storage in direct sunlight.**
- d) Do not subject battery pack to mechanical shock.**
- e) In the event of battery leaking, do not allow the liquid to come into contact with the skin or eyes. If contact has been made, wash the affected area with copious amounts of water and seek medical advice.**
- f) Keep battery pack clean and dry.**
- g) Wipe the battery pack terminals with a clean dry cloth if they become dirty.**
- h) Battery pack needs to be charged before use. Always refer to this**







**instruction and use the correct charging procedure.**

- i) Do not maintain battery pack on charge when not in use.**
- j) After extended periods of storage, it may be necessary to charge and discharge the battery pack several times to obtain maximum performance.**
- k) Recharge only with the charger specified by Worx. Do not use any charger other than that specifically provided for use with the equipment.**
- l) Do not use any battery pack which is not designed for use with the equipment.**
- m) Keep battery pack out of the reach of children.**
- n) Retain the original product literature for future reference.**
- o) Remove the battery from the equipment when not in use.**
- p) Dispose of properly.**
- q) Do not mix cells of different manufacture, capacity, size or type within a device.**

**r) Keep the battery away from microwaves and high pressure.**

## SYMBOL

	Read the operator's manual
	Wear eye protection
	Wear ear protection
	Do not expose to rain
	Warning of hazard
	Keep bystanders away
	Blow mode
	Vacuum mode

	Impeller continues to rotate after the machine is switched off. Wait until all machine components have completely stopped before touching them.
	Make sure the battery is removed prior to changing accessories.
	Batteries may enter water cycle if disposed improperly, which can be hazardous for ecosystem. Do not dispose of waste batteries as unsorted municipal waste.
	Do not burn
	Li-Ion battery This product has been marked with a symbol relating to 'separate collection' for all battery packs and battery pack. It will then be recycled or dismantled in order to reduce the impact on the environment. Battery packs can be hazardous for the environment and for human health since they contain hazardous substances.
	Waste electrical products must not be disposed of with household waste. Please recycle where facilities exist. Check with your local authorities or retailer for recycling advice.

## COMPONENT LIST



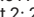
<b>1. HANDLE</b>
<b>2. ON/OFF SWITCH</b>
<b>3. HIGH/LOW SPEED CONTROL BUTTON</b>
<b>4. TUBE RELEASE BUTTON</b>
<b>5. BLOWER TUBE</b>
<b>6. BLOWER TUBE NOZZLE</b>
<b>7. BATTERY PACKS*</b>
<b>8. ANTI-STATIC STRIP</b>
<b>9. UPPER VACUUM TUBE</b>

<b>10. LOWER VACUUM TUBE</b>
<b>11. WHEELS</b>
<b>12. LEAF COLLECTION BAG</b>
<b>13. FAN HOUSING COVER</b>
<b>14. BATTERY PACK RELEASE BUTTON*(SEE FIG. C)</b>
<b>15. BATTERY INDICATOR LIGHT (SEE FIG.D)</b>

**\*Not all the accessories illustrated or described are included in standard delivery.**

## TECHNICAL DATA

**Type WG583E WG583E.9 (5 -designation of machinery, representative of Cordless Blower)**

	WG583E	WG583E.9
Rated voltage	40 V  MAX(2x20 V MAX)**	
Blow speed	Max. 335 km/h	
Vacuum capacity	Max. 575 m <sup>3</sup> /h	
Mulching ratio	12:1	
Collection bag capacity	35 L	
Battery type	Lithium-ion	/
Battery capacity	4.0 Ah (WA3553)	/
Charger model	WA3883	/
Charger rating	Input: 100-240 V~ 50-60 Hz Output 1: 20 V  , 2.0 A *** Output 2: 20 V  , 2.0 A ***	/
Charging time (approx.) Battery pack: 4.0 Ah (1 pc) 4.0 Ah (2 pcs)	1 hr 2 hrs	/
Machine weight	4.2 kg (Blow) 5.1 kg (Vac)	2.9 kg (Blow) 3.8 kg (Vac)

\*\*Voltage measured without workload. Initial battery voltage reaches maximum of 20 volts. Nominal voltage is 18 volts.

\*\*\* Charger output 1 and output 2 mean two ports with the same output voltage and current.

## ACCESSORIES

	WG583E	WG583E.9
Battery pack	2 (WA3553)	/
Charger	1 (WA3883)	/

We recommend that you purchase your accessories listed in the above list from the same store that sold you the tool. Refer to the accessory packaging for further details. Store personnel can assist you and offer advice

## NOISE INFORMATION

A weighted sound pressure  $L_{pA}$ : 84.7 dB(A)

A weighted sound power  $L_{WA}$ : 99.7 dB(A)

$K_{pA}$  &  $K_{WA}$ : 3.0 dB(A)

**Wear ear protection**



## VIBRATION INFORMATION

Typical weighted vibration  $a_h$ : <2.5 m/s<sup>2</sup>

Uncertainty  $K$ : 1.5 m/s<sup>2</sup>

The declared vibration total value may be used for comparing one tool with another, and may also be used in a preliminary assessment of exposure.

**WARNING:** The vibration emission value during actual use of the power tool can differ from the declared value depending on the ways in which the tool is used dependant on the following examples and other variations on how the tool is used:

How the tool is used and the materials being cut or drilled.

The tool being in good condition and well maintained. Using the correct accessory for the tool and ensuring it is sharp and in good condition.

The tightness of the grip on the handles and if any anti vibration accessories are used.

And the tool is being used as intended by its design and these instructions.

**This tool may cause hand-arm vibration syndrome if its use is not adequately managed**

**WARNING:** To be accurate, an estimation of exposure level in the actual conditions of use should also take account of all parts of the operating cycle such as the times when the tool is switched off

and when it is running idle but not actually doing the job. This may significantly reduce the exposure level over the total working period.

Helping to minimise your vibration exposure risk.

ALWAYS use sharp chisels, drills and blades.

Maintain this tool in accordance with these instructions and keep well lubricated (where appropriate).

If the tool is to be used regularly then invest in anti vibration accessories.

Plan your work schedule to spread any high vibration tool use across a number of days.

## OPERATION



### INTENDED USE:


The blower & Vac is intended for residential use only.

Use the blower outdoors to move or vacuum yard debris as needed.

### ASSEMBLY AND OPERATION

ACTION	FIGURE
<b>BEFORE OPERATION</b>	
<p>Checking the battery condition</p> <p><b>NOTE:</b> Fig. A only applies for the battery pack with battery indicator light.</p>	See Fig. A
<p>Charging the battery pack</p> <p><b>NOTE:</b></p> <ul style="list-style-type: none"> <li>The batteries are shipped uncharged. Each battery must be fully charged before the first use.</li> <li>Always fully charge the two batteries at same time. More details can be found in charger's manual.</li> </ul> <p><b>WARNING! The charger and battery pack are specially designed to work together, so do not attempt to use any other devices. Never insert or allow metallic objects into your charger or battery pack connections because of an electrical failure and hazard will occur.</b></p>	See Fig. B
<p>Installing and Removing the battery pack</p> <p><b>NOTE:</b></p> <ul style="list-style-type: none"> <li><b>This machine will only run when 2 batteries are installed. It is recommended to use the same two batteries and charge the two batteries at the same time.</b></li> <li><b>When you use two batteries with different power, the machine will only run to the level of the lowest charged battery</b></li> </ul>	See Fig.C

Battery indicator light See details in BATTERY STATUS part <b>IMPORTANT:</b> <b>When only one light is illuminated, your battery is overly discharged, even though the machine may still be capable to work. Continuing to operate your machine with the battery in this discharged condition may reduce the life and performance of your battery.</b> <b>When no light is illuminated, at least one battery is not fully installed or battery may be defective, please double check the batteries are fully seated into position.</b>	See Fig. D
<b>OPERATION</b>	
<b>Blow mode</b>	
Assembling the Blower Tube and fan housing cover	See Fig. E1,E2,E3
On/Off Switch  <b>WARNING! The tool runs for a few seconds after it has been switched off.</b> <b>Let the motor come to a complete standstill before setting the tool down.</b>	See Fig. F
Using the Blower <b>USER TIPS</b> - Hold the blow tube approximately 8" above the ground when operating the tool. - Use a sweeping motion from side to side. Advance slowly keeping the accumulated debris/leaves in front of you.  <b>Caution!</b> <b>Do not blow hard objects such as nails, bolts, or rocks.</b>	See Fig.G
Adjusting the blowing speed <b>NOTE:</b> the speed your tool keeps each time you turn it on is the speed when you turned it off last time. If necessary, please readjust the speed.	See Fig.H
<b>Vacuum mode</b>	
Disassembling the blower tube and fan housing cover	See Fig. I1,I2
Assembling the vacuum Tube and wheel	See Fig. J1,J2
Assembling the Leaf Collection Bag	See Fig. J3

On/Off Switch  <b>WARNING! The tool runs for a few seconds after it has been switched off.</b> <b>Let the motor come to a complete standstill before setting the tool down.</b>	See Fig.F
Using the Vacuum <b>NOTE:</b> It is recommended to use high speed for best vacuum performance.	See Fig. K
Disassembling the vacuum Tube and the Leaf Collection Bag	See Fig.L1,L2
Emptying the Leaf Collection Bag	See Fig. M1,M2
Removing Clogged Debris from the Impeller (no tool included) <b>NOTE: Ensure to remove the batteries before attempting to clear any debris.</b>	See Fig. N

#### BATTERY STATUS (See Fig. D)

- Before starting or after use, press the button beside the power indicator light on the machine to check the battery capacity.
- During operation, the battery capacity will be indicated automatically by the battery power indicator. The indicator constantly senses and displays the battery condition as follows.
- For the machine with 2 battery packs with different power, the power indicator light displays the battery condition with the lower one of the two batteries.

Battery indicator light status	Battery condition
Five green lights (■■■■■) are illuminated.	The two batteries are in a highly charged condition.
Two, three or four green lights are illuminated.	The two batteries have a remaining charge. The more lights are illuminated, the more battery capacity.
Only one green light (■□□□□) is illuminated.	The battery level of at least one battery pack is very low. Please check and charge the battery pack.
No light is illuminated.	At least one battery is not fully installed or battery may be defective.

Only one light is flashing twice per cycle.	At least one battery is over discharged (please refer to the battery charge condition), please recharge the two batteries at once before use again or storage.
Only one light is flashing three times per cycle.	At least one battery is hot, wait for them cool down before start again.
Only one light is flashing four times per cycle.	The machine is over load. Remove tool from blowing area and try again.

## STORAGE

Store the Blower/Vacuum indoors, in a cool dry location, out of reach of children and animals.

## CLEANING THE TOOL

Clean the tool regularly.



**Warning! Keep your product dry. Under no circumstances spray with water.**

- **To clean the tool, use only mild soap and a damp cloth.**
- **Do not use any type of detergent, cleaner or solvent which may contain chemicals that could seriously damage the plastic.**

## ENVIRONMENTAL PROTECTION



Waste electrical products must not be disposed of with household waste. Please recycle where facilities exist. Check with your local authorities or retailer for recycling advice.

## DECLARATION OF CONFORMITY

We,  
Positec Germany GmbH  
Grüner Weg 10, 50825 Cologne, Germany

Declare that the product  
Description **Battery-operated Blower Vacuum**  
Type **WG583E WG583E.9 (5-designation of machinery, representative of battery-operated Blower Vacuum)**  
Function **blowing and picking up debris into a debris collector**

Complies with the following Directives:  
**2006/42/EC, 2014/30/EU**  
**2011/65/EU&(EU)2015/863**  
**2000/14/EC amended by 2005/88/EC**

2000/14/EC amended by 2005/88/EC:  
- Conformity Assessment Procedure as per **Annex V**  
- Measured Sound Power Level **99.7 dB(A)**  
- Declared Guaranteed Sound Power Level **103 dB(A)**

Standards conform to:  
**EN 60335-1, EN 50636-2-100, EN 62233,**  
**EN ISO 3744, EN 55014-1, EN 55014-2**

The person authorized to compile the technical file,  
**Name Marcel Filz**  
**Address Positec Germany GmbH**  
**Grüner Weg 10, 50825 Cologne, Germany**



2021/04/12  
Allen Ding  
Deputy Chief Engineer, Testing & Certification  
Positec Technology (China) Co., Ltd  
18, Dongwang Road, Suzhou Industrial  
Park, Jiangsu 215123, P. R. China

## PRODUKTSIKKERHED

### **ADVARSEL! Læs samtlige anvisninger.**

Manglende overholdelse af nedenstående anvisninger kan resultere i elektrisk stød, brand og/eller alvorlig personskade.

### **Gem alle advarsler og instruktioner for fremtidig reference.**

Apparatet må kun anvendes sammen med den leverede strømforsyningsenhed.

## VIGTIGT

### **LÆS FORSIGTIGT FØR BRUG BEHOLD TIL SENERE BRUG**

#### **Sikker brugspraksis**

##### **1) Uddannelse**

- Læs disse instruktioner omhyggeligt. Sæt dig ind i kontrolgrebene og passende brug af maskinen;
- Lad aldrig børn, personer med nedsatte fysiske, sensoriske eller mentale evner eller manglende erfaring og viden, eller folk der ikke kender disse instruktioner bruge maskinen; lokale regler kan begrænse alderen for operatøren.
- Brug aldrig apparatet når

mennesker, specielt børn, eller kæledyr er tæt på;

- Operatøren, eller brugeren er ansvarlig for ulykker eller farer der opstår på andre personer eller på deres ejendom

##### **2) FORBEREDELSE**

- Mens du bruger dette apparat skal du altid anvende solidt fodtøj og lange bukser. Brug ikke apparatet når du er barfodet eller bærer åbne sandaler. Undgå at bære tøj, der er løsthængende, eller som har hængende snore, eller slips.
- Bær ikke løstsiddende tøj eller smykker, der kan blive suget ind i luftindsugningen. Hold langt hår væk fra luftindsugningen;
- Bær beskyttelsesbriller under brug;
- Betjen maskinen i en anbefalet position og kun på en fast, plan overflade.
- Betjen ikke maskinen på en brolagt eller en grusdækket overflade, hvor udkastet materiale kan forårsage skade.
- Inspicér altid visuelt før brug for at se, om

skæringsmidlerne, skæringsmiddel-boltene og andre fastgørelsesmidler er sikre, kabinettet ikke er beskadiget, og at overvågning og skærme er på plads. Udskift slidte eller ødelagte komponenter i sæt for at bevare balance. Udskift ødelagte eller ulæselige mærkater.

### **3) Betjening**

- a) Før du starter maskinen, sørg for at foderkammeret er tomt.
- b) Hold dit ansigt og din krop væk fra foderoptagelsesåbningen.
- c) Tillad ikke hænder eller andre dele af kroppen eller tøj at komme ind i foderkammeret, udkastningsrenden eller nær andre bevægende dele.
- d) Hold en passende balance og fodfæste på alle tidspunkter. Ræk ikke for langt ud. Stå aldrig på et højere niveau end maskinens sokkel, når du fodrer den med materiale.
- e) Stå altid væk fra udkastningszonen, når du betjener denne maskine.
- f) Når du fodrer maskinen med materiale, vær ekstremt forsigtig med at stykker af metal, sten, flasker, dåser og andre fremmede objekter ikke er inkluderet.
- g) Hvis skæremekanismen rammer nogle fremmede objekter, eller Hvis maskinen begynder at lave nogle usædvanlige lyde eller vibrationer, sluk med det samme for strømkilden og lad maskinen stoppe. Fjern batteripakken fra maskinen og foretag følgende trin før du genstarter og betjener maskinen:
  - i) Kontroller hvis de ikke blev beskadiget.;
  - ii) Udskift el. reparer alle beskadigede dele;
  - iii) Kontroller og fastspænd alle løse dele.
- h) Lad ikke færdigbehandlet materiale opbygges i udkastningszonen; dette kan forhindre korrekt udkastning og resultere i tilbageslag af materiale gennem indførselsåbningen.
- i) Hvis maskinen bliver tilstoppet, sluk for strømkilden og fjern

- batteripakken fra maskinen før du renser for overskydende materiale.
- j) Brug ikke apparatet med defekte beskyttelsesskærme eller uden sikkerhedsforanstaltninger. for eksempel opsamlere til overskydende materiale på plads.
- k) Hold strømkilden fri for overskydende materiale og anden ophobning for at forhindre skade på strømkilden og mulig brand.
- l) Transportér ikke denne maskine mens strømkilden stadig er tændt.
- m) Afbryd altid maskinen fra strømkilden (f.eks. fjern batteripakken fra maskinen)
- Når du forlader maskinen
  - Før du fjerner en blokering;
  - før kontrol, rengøring eller arbejde på maskinen;
- n) Undgå at bruge maskinen under dårlige vejrforhold, især når der er risiko for lyn.
- arbejdsstand.
- b) Tjek opsamlere til overskydende materiale jævnlige for slid eller forringelse.
- c) Udskift slidte eller defekte dele.
- d) Brug kun originale reservedele og tilbehør.
- e) Opbevar maskinen på et tørt sted utilgængeligt for børn.
- f) Når maskinen er standset for service, inspektion eller opbevaring, eller for at ændre tilbehør, sluk for strømkilden og kobl maskinen fra kilden og sørg for at alle bevægende dele står fuldstændigt stille. Tillad maskinen at køle ned før foretagelse af inspektioner, justeringer, etc. Vedligehold maskinen med omhu og hold den ren.
- g) Opbevar maskinen på et tørt sted utilgængeligt for børn.
- h) Før opmagasinering lad plæneklipperen altid køle ned.
- i) Under eftersyn af skæringsmidlerne vær opmærksom på, at selvom energikilden er slået fra, kan skæringsmidlerne stadig bevæges på grund af

#### **4) VEDLIGEHOLDELSE OG OPBEVARING**

- a) Hold alle møtrikker, bolte og skruer spændte for at sikre at apparatet er i sikker

skærmens låsefunktion.

- j) Prøv aldrig at tilsidesætte skærmens låsefunktion.

## 5) Yderligere sikkerhedsinstruktioner for enheder med emballeringsanordninger

Switch-off the machine before attaching or removing the bag.

## BATTERISIKKERHED SIKKERHEDSFORSKRIFTER TIL BATTERISÆT

- a) Sekundærelementer eller batterisæt må ikke skilles ad, åbnes eller knuses.
- b) Et batterisæt må ikke kortsluttes. Batterisæt må ikke opbevares lemfældigt i en kasse eller skuffe, hvor de kan kortslutte hinanden eller kortsluttes af ledende genstande. Når batterisættet ikke er i brug, skal det holdes væk fra andre metalgenstande, såsom papirclips, mønter, nøgler, søm, skruer eller andre små metalgenstande, der kan skabe en forbindelse fra en pol til en anden. Kortslutning af batteripoler kan medføre forbrændinger eller brand.
- c) Batterisæt må ikke udsættes for varme eller ild. Må ikke opbevares i direkte sollys.
- d) Batterisæt må ikke udsættes for mekaniske stød.
- e) I tilfælde af at et batteri lækker, må væsken ikke komme i kontakt med huden eller øjne. Hvis der er sket kontakt, skal det berørte område vaskes med rigelige mængder vand, hvorefter der søges lægehjælp.
- f) Opbevar batterisæt på et rent og tørt sted.
- g) Aftør batterisættets poler med en tør klud, hvis de bliver snavsede.
- h) Batterisæt skal oplades før anvendelsen. Anvend altid den korrekte oplader, og læs producentens anvisninger eller brugervejledning for, hvordan batterierne oplades korrekt.
- i) Et batterisæt må ikke efterlades til opladning i længere tid, hvis det ikke anvendes.
- j) Efter længere opbevaringsperioder

kan det være nødvendigt at oplade eller aflade batterisættet flere gange for at opnå den optimale ydelse.

**k) Genoplad kun med laderen specificeret af Worx. Anvend ingen anden oplader end den, der specifikt er beregnet til brug med udstyret.**

**l) Brug kun det korrekte batteri til udstyret.**

**m) Batterisættet skal opbevares utilgængeligt for børn.**

**n) Opbevar den originale produktliteratur til fremtidig brug.**

**o) Batterisættet skal fjernes fra udstyret, når det ikke er i brug.**

**p) Bortskaffes på en miljørigtig måde.**

**q) Bland ikke batterier af forskellig fremstilling, kapacitet, størrelse eller type i enheden.**

**r) Hold batteriet væk fra mikrobølgeovne og højt tryk.**

## SYMBOLER

	Læs brugsanvisningen
	Bær øjenværn
	Bær høreværn
	Udsæt ikke for regn
	Advarsel om risiko
	Hold tilskuere eller børn væk
	Blæsning
	Sugning
	Hjulet fortsætter med at rotere, efter at maskinen er slukket. Vent til alle haveværktøjets dele er standset helt, før de berøres.
	Fjern batteriet fra holderen før udførelse af justeringer, eftersyn eller vedligeholdelse.

	Hvis det ikke håndteres korrekt, kan batteriet muligvis komme ind i vandcyklusen, hvilket kan forårsage skade på økosystemet. Bortskaf ikke brugte batterier som usorteret kommunalt affald.
	Må ikke brændes
	Li-Ion-batteri Dette produkt er mærket med et "separat indsamling" -symbol til alle batterier og batteripakker. Genanvend derefter eller fjern det for at reducere påvirkningen på miljøet. Batteripakken indeholder skadelige stoffer, der kan være skadelige for miljøet og menneskers sundhed.
	Elektrisk affald må ikke smides ud sammen med dit almindelige husholdningsaffald. Du bedes venligst genbruge affaldet hvis muligt. Forhør dig hos din lokale kommune eller din forhandler vedrørende genbrug.

## AGGREGATELEMENTER

1. HÅNDTAG
2. TÆND-SLUK-KNAP
3. HØJ/ LAV HASTIGHED KONTROLNAPPER
4. UDLØSERKNAP TIL RØRET
5. BLÆSERØR
6. BLÆSERE RØR DYSER
7. BATTERIENHED\*
8. ANTISTATISKE STRIMLER
9. ØVRE VAKUUMRØR
10. NEDRE VAKUUMRØR
11. HJUL
12. BLADINDSAMLINGSPOSE
13. DÆKSEL TIL VENTILATORHUSE
14. UDLØSERKNAPPER TIL BATTERIENHEDEN\* (SE FIG.C)
15. BATTERI-INDIKATORLAMPE (SE FIG.D)

**\*Illustreret eller beskrevet tilbehør er kun delvis indeholdt i leverancen.**

## TEKNISK DATA

**Type WG583E WG583E.9 (5-designeret maskine, repræsentativ vakuumelektrisk blæser)**

	WG583E	WG583E.9
Spænding	40 V $\overline{\text{---}}$ MAX(2x20 V MAX)**	
Blæsehastighed	Maks. 335 km/h	
Strømningsforhold	Maks. 575 m <sup>3</sup> /h	
Bioklip:	12:1	
Posens kapacitet:	35 L	
Batteritype	Lithium-ion	/
Batterikapacitet	4.0 Ah (WA3553)	/
Opladermodel	WA3883	/
Mærkekapacitet på opladeren	Indgang: 100-240 V~ 50-60 Hz Udgang 1: 20 V $\overline{\text{---}}$ , 2.0 A *** Udgang 2: 20 V $\overline{\text{---}}$ , 2.0 A ***	/
Opladningtid (Omkring) Batteripakke: 4.0 Ah (1 pc) 4.0 Ah (2 pcs)	1 hr 2 hrs	/
Maskinens vægt	4.2 kg (Blæse) 5.1 kg (Vac)	2.9 kg (Blæse) 3.8 kg (Vac)

\*\* Spændingen er målt uden arbejdsbelastning. Den indledende batterispænding når maksimalt op på 20 volt. Nominel spænding er 18 volt.

\*\*\* Oplader 1 og udgang 2 betyder to porte med samme udgangsspænding og strøm.

## TILBEHØR

	WG583E	WG583E.9
Batterienhed	2 (WA3553)	/
Oplader	1 (WA3883)	/

Det anbefales, at alt udstyr købes i samme butik som maskinen. Se på emballagen til tilbehøret for at få yderligere oplysninger. Få hjælp og råd i butikken.

## STØJINFORMATION

A-vægtet lydtryksniveau  $L_{PA}$ : 84.7 dB(A)

A-vægtet lydeffektniveau  $L_{WA}$ : 99.7 dB(A)

$K_{PA}$  &  $K_{WA}$ : 3.0 dB(A)

Bær høreværn



## VIBRATIONSINFORMATION

Typisk vægtet vibration  $a_h$  < 2.5 m/s<sup>2</sup>

Usikkerhed  $K=1.5$  m/s<sup>2</sup>

Den angivne samlede vibrationsværdi kan bruges til at sammenligne værktøjer, og kan også bruges til at danne et skøn over eksponeringen.

**!** **ADVARSEL:** Vibrationsværdien under den faktiske brug af maskinværktøjet kan afvige fra den opgivne værdi afhængigt af måderne, værktøjet benyttes på. Se følgende eksempler på, hvad vibrationerne kan afhænge af:

Hvordan værktøjet bruges og materialerne, der skæres eller bores i.

Værktøjets stand og vedligeholdelse.

Anvendelse af korrekt tilbehør og kontrol med, at det er skarpt og i en i det hele taget god tilstand.

Hvor kraftigt, der holdes fast i håndtaget og, om der benyttes antivibrationsudstyr.

Om værktøjet anvendes i henhold til dets konstruktion og nærværende anvisninger.

**Værktøjet kan medføre et hånd/arm-vibrationsyndrom, hvis det ikke bruges på rigtig måde.**

**!** **ADVARSEL:** En vurdering af udsættelsesgraden under det aktuelle brug skal omfatte alle dele af arbejds cyklussen, herunder antallet af gange værktøjet slås til og fra, og tomgangsdriften uden for selve arbejdsopgaven. Dette kan afgørende reducere udsættelsesniveauet i den samlede arbejdsperiode. Sådan kan du minimere risikoen for udsættelse for vibrationer:

Brug ALTID skarpe mejsler, bor og blade.

Vedligehold værktøjet i overensstemmelse med disse instruktioner og hold det korrekt smurt (hvor det er nødvendigt).

Hvis værktøjet bruges ofte, bør du anskaffe antivibrationsudstyr.

Planlæg dit arbejde, så du kan fordele arbejde med kraftige vibrationer over flere dage.


## BETJENINGS

### FORESKREVET ANVENDELSE

Blæseren og sugeren er kun beregnet til privat brug. Brug blæseren udendørs til at flytte eller suge haveaffald, efter behov.


### SAMLING OG BETJENING

HANDLING	FIGUR
<b>FØR BRUG</b>  Tjek af batteriniveauets tilstand <b>BEMÆRK:</b> Fig. A gælder kun for batteripakken med batteriindikatorlampen.	Se fig. A
Oplad batteriet <b>BEMÆRK:</b> <ul style="list-style-type: none"> <li>Batteripakken leveres uopladet. Batteriet skal være helt opladet før første brug.</li> <li>Oplad altid begge batterier fuldstændigt og samtidigt. Flere detaljer kan findes i manualen.</li> </ul> <b>!</b> <b>ADVARSEL! Oplader og batterienhed er specielt beregnet til at blive brugt sammen. Brug ikke andre batterienheder eller opladere. Sæt aldrig metalgenstande ind i opladeren eller batterienheden. Dette kan føre til elektrisk fejl, der kan medføre fare.</b>	Se fig. B
Sådan fjernes eller isættes batterienheden <b>BEMÆRK:</b> <ul style="list-style-type: none"> <li>Denne maskine vil kun virke når begge batterier er installeret. Brug altid de samme to batterier og oplad begge batterier samtidigt.</li> <li>Når du bruger to batterier med forskellig strøm, maskinen fungerer kun på niveau med den laveste opladte batteri</li> </ul>	Se fig. C
Batteri-indikatorlampe Se detaljer i BATTERI STATUS afsnittet <b>VIGTIGT:</b> Når kun en lampe lyser er dit batteri afladt for meget, selv om maskinen måske stadig kan arbejde. Fortsat brug af din maskine med batteriet i afladt tilstand kan reducere batteriets levetid og ydelse. Når ingen af lamperne lyser, er mindst et batteri forkert installeret eller defekt. Kontrollér er tilsluttet og placeret korrekt.	Se fig. D

<b>BETJENING</b>	
<b>Blæsning</b>	
SÅDAN SAMLES BLÆSEREN og dæksel til ventilatorhuse	Se fig. E1,E2,E3
Tænd-sluk-knap  <b>Advarsel! Redskabet kører VIDERE et par sekunder efter, at der er slukket for det. Lad motoren standse helt, inden du sætter redskabet fra dig.</b>	Se fig. F
Sådan anvendes blæseren <b>BRUGERTIPS</b> - Hold blæserrøret ca. 8" over jorden, mens redskabet betjenes. - Bevæg redskabet med en fejende bevægelse fra side til side. Gå langsomt frem, mens affald/blade ophobes foran.  <b>Forsigtig! Blæs aldrig direkte på hårde genstande, såsom søm, skruer, bolte eller sten.</b>	Se fig.G
Justering af blæserhastigheden <b>BEMÆRK:</b> Hastighed værktøjet fastholder hver gang du tænder den er den hastighed, hvormed du sidst slæet det fra. Hvis det er nødvendigt, behage Juster hastighed.	Se fig.H
<b>Sugning</b>	
Sådan Skilles Blæserrøret og dæksel til ventilatorhuse	Se fig. I1,I2
SÅDAN SAMLES VAKUUMRØRET og hjul	Se fig. J1,J2
Fastgørelse af bladindsamlingsposen	Se fig. J3
Tænd-sluk-knap  <b>ADVARSEL! Redskabet kører videre et par sekunder efter, at der er slukket for det. Lad motoren standse helt, inden du sætter redskabet fra dig.</b>	Se fig.F
Sådan bruges vakuumfunktionen <b>BEMÆRK:</b> Høj hastighed anbefales til bedste vakuum ydeevne.	Se fig. K
Sådan Skilles VAKUUMRØRET and the Leaf Collection Bag	Se fig.L1,L2
Tømning af posen	Se fig.M1,M2
Fjernelse af tilstoppet rester fra blæsehjulet (værktøj ikke nødvendigt) <b>BEMÆRK:</b> Sørg for at fjerne batterierne, før du prøver at fjerne snavs.	Se fig. N

## BATTERIETS STATUSLAMPER (Se Fig. D)

- Før start eller efter brug trykkes knappen ved siden af batteri-indikatorlampe, for at kontrollere batterikapaciteten.
- Under drift indikeres batterikapaciteten automatisk af batteristrømindikatoren. Lamperne overvåger og viser hele tiden batteritilstanden som følger.
- Ved maskinen med 2 batterier med forskellig opladning viser indikatorlampe den batteritilstand med den laveste batteriopladning.

Batteriindikator status	Batteritilstand
Fem grønne lamper (  ) lyser.	De to batterier er fuldt opladet.
To, tre eller fire lamper lyser.	De to batterier er ikke fuldt opladet. Desto flere lamper der lyser, desto bedre batterikapacitet.
Kun en lampe (  ) lyser.	Opladningsniveauet på mindst et batteri er meget lavt. Kontrollér venligst, og oplad batteriet.
Ingen lamper lyser.	Mindst et batteri er ikke korrekt installeret, eller batteriet er defekt.
Kun en lampe blinker 2 gange pr. cyklus.	Mindst et batteri er overopladet (se betingelser for batteriopladning). Genoplad de to batterier inden brug eller opbevaring.
En lampe blinker 3 gange pr. cyklus.	Mindst et batteri er varmt, vent til de er kølet ned, før du starter igen.
En lampe blinker 4 gange pr. cyklus.	Maskinen er overbelastet. Fjern værktøjet fra skæreamrådet, og prøv igen.


83

## OPBEVARING

Opbevar blæser/vakuumapparatet indendørs, på et køligt og tørt sted, som er utilgængeligt for børn og husrdyr.

## SÅDAN RENGØRES REDSKABET

Rengør redskabet regelmæssigt.

-  **ADVARSEL!** Hold redskabet tørt. Der må under ingen omstændigheder sprøjtes vand på det
- Anvend kun en fugtet klud med mild sæbe til